



## MK-16 / MK-25 / MK-40

### BELLOWS SEALED STOP VALVE

#### GENERAL FEATURES

- High tightness (Leakproofness class - A acc. EN - 12266 - 1)
- Compact settlement
- Environment - friendly
- Tests acc. EN - 12266 - 1
- Flanges drilled according to EN 1092 - 2 for gray & nodular cast iron body
- Flanges drilled according to EN 1092 - 1 for cast steel body
- Face-to-face dimension according to EN 558 - 1

#### APPLICATIONS

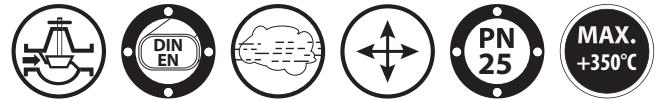
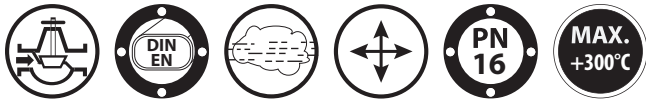
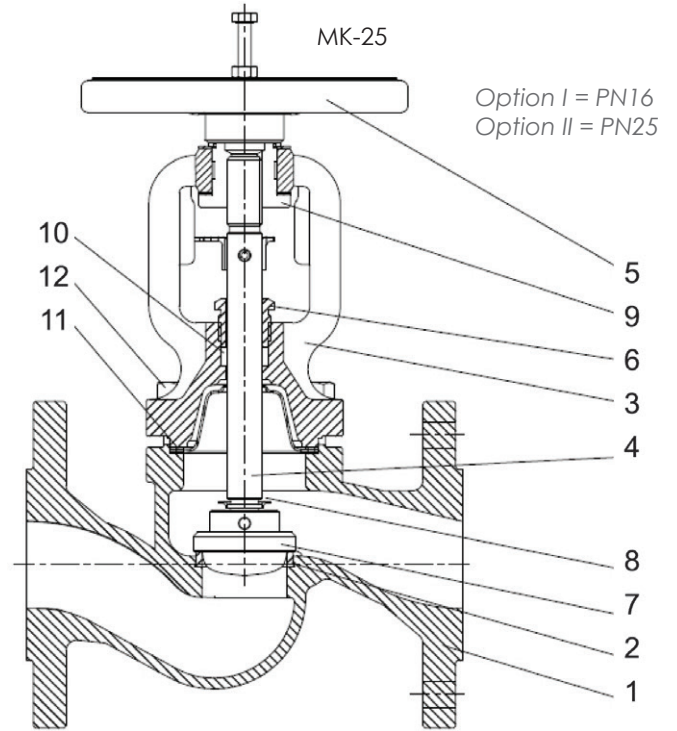
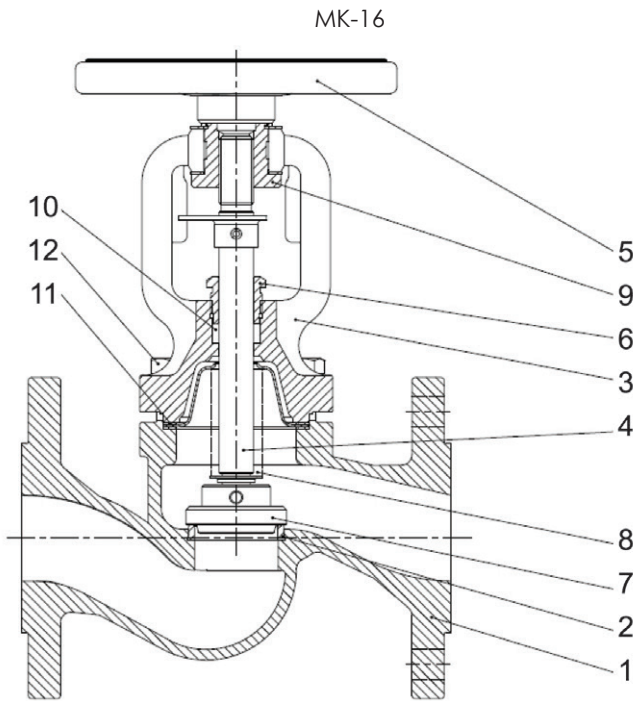
- Industry
- Shipbuilding industry
- Heating
- Refrigeration and air conditioning
- Glycol
- Industrial water
- Diathermic oil
- Steam
- Compressed air
- Neutral fluids

		MK-16	MK-25	MK-40
FEATURES	Body	Grey Cast Iron EN-GJL-250	Nodular Cast Iron EN-GJS-400	Cast Steel
	Seat	X12Cr13	Stainless Steel AISI 304	Stainless Steel AISI 304
	Disc	X12Cr13	Stainless Steel AISI 304	Stainless Steel AISI 304
	Connection	Flanged	Flanged	Flanged
	Max. Working Temp.	300°C	350°C	450°C
	Max. Working Pressure	16 bar	25 bar	40 bar

		PN		---	-10°±120°C	150°C	200°C	250°C	300°C	350°C	400°C	450°C
GREY CAST IRON	16	bar	---	---	16	14,4	12,8	11,2	9,6	---	---	---
NODULAR CAST IRON	25		---	---	25	24,3	23	21,8	20	17,5	---	---
Acc. EN 1092-1			-20°±-10°C	-10°±50°C	100°C	150°C	200°C	250°C	300°C	350°C	400°C	450°C
CAST STEEL	40	bar	30	40	37,1	35,2	33,3	30,4	27,6	25,7	23,8	13,1

# MK-16/MK25 BELLOW SEALED STOP VALVE

## PRODUCT DESIGN & MATERIAL SELECTION

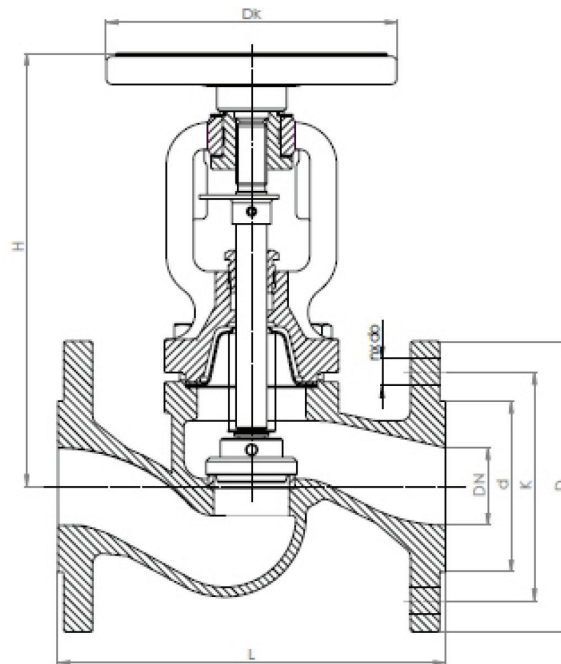


TYPE I - Gray Cast Iron		
No	Part	Material
1	Body	EN-GJL-250 5.1301 (ex. J11040)
2	Seat Ring	X12Cr13 1.4006
3	Bonnet	EN-GJS400-18-LT 5.3103 (ex.JS1025)
4	Stem	X20Cr13 1.4021
5	Hand-wheel	Steel
6	Gland Packing	11SMnPb30
7	Disc	X20Cr13 1.4021
8	Bellow	X6CrNiMoTi-17-12-2
9	Sleeve	11SMnPb30
10	Gland Packing	Graphite
11	Bonnet Gasket	Graphite+CrNiSt
12	Hexagon Bolt	8,8

TYPE II - Nodular Cast Iron		
No	Part	Material
1	Body	EN - GJS400 - 18 - LT 5.3103(ex.JS1025)
2	Seat Ring	X12Cr13 1.4006
3	Bonnet	EN-GJS400-18-LT 5.3103 (ex.JS1025)
4	Stem	X20Cr13 1.4021
5	Hand-wheel	Steel
6	Gland Packing	11SMnPb30
7	Disc	X20Cr13 1.4021
8	Bellow	X6CrNiMoTi-17-12-2
9	Sleeve	11SMnPb30
10	Gland Packing	Graphite
11	Bonnet Gasket	Graphite+CrNiSt
12	Hexagon Bolt	A2-70

# MK-16/MK25 BELLOW SEALED STOP VALVE

## DIMENSIONS

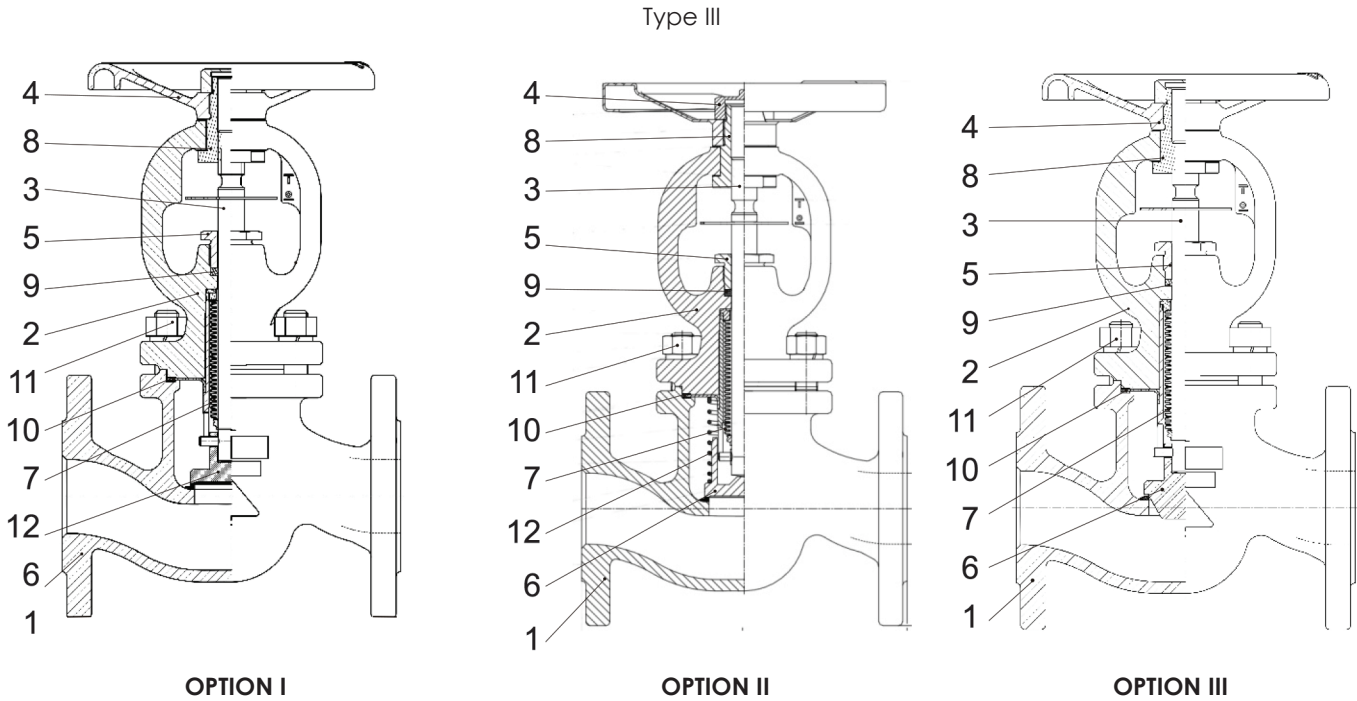


PN 16 - TYPE I										
DN	D	d	K	nxd0	Dk	h	L	H	Kvs	Weight
mm									m <sup>3</sup> /h	kg
15	95	46	65	4x14	125	5	130	178	5,9	3,2
20	105	56	75	4x14	125	5	150	178	7,4	3,9
25	115	65	85	4x14	125	7	160	193	13	4,85
32	140	76	100	4x19	125	8	180	201	18	6,5
40	150	84	110	4x19	150	10	200	224	30	9
50	165	99	125	4x19	150	13	230	228	41	11
65	185	118	145	4x19	175	17	290	270	79	15,8
80	200	132	160	8x19	200	20	310	295	115	24,3
100	220	156	180	8x19	250	25	350	325	181	35
125	250	184	210	8x19	300	32	400	380	225	49
150	285	211	240	8x23	400	38	480	427	364	76
200	340	266	295	12x23	500	50	600	569	725	130,5
250	405	319	355	12x28	500	63	730	645	-	210

PN25 - TYPE II										
DN	D	d	K	nxd0	Dk	h	L	H	Kvs	Weight
mm									m <sup>3</sup> /h	kg
15	95	46	65	4x14	125	5	130	178	3,4	3,2
20	105	56	75	4x14	125	5	150	178	6,3	3,9
25	115	65	85	4x14	125	7	160	193	9,4	5
32	140	76	100	4x19	125	8	180	201	16	6,7
40	150	84	110	4x19	150	10	200	224	26	9,3
50	165	99	125	4x19	150	13	230	228	40	11,5
65	185	118	145	8x19	175	17	290	270	70	16,3
80	200	132	160	8x19	200	20	310	295	106	21,4
100	235	156	190	8x23	250	25	350	325	170	36
125	270	184	220	8x28	300	32	400	380	245	51,5
150	300	211	250	8x28	400	38	480	427	360	78
200	360	274	310	12x28	500	50	600	569	-	130,5
250	-	-	-	-	500	63	730	645	-	-

# MK-25 BELLOW SEALED STOP VALVE

## PRODUCT DESIGN & MATERIAL SELECTION



No	Part	Material		
		Option 1	Option 2	Option 3
1	Body	GP240GH	GP240GH	GP240GH
2	Bonnet	GP240GH	GP240GH	GP240GH
3	Stem	X8CrNiS 18-9 14.305	X8CrNiS 18-9 14.305	X8CrNiS 18-9 14.305
4	Hand-wheel	Steel	Steel	Steel
5	Gland	11SMnPb30	11SMnPb30	11SMnPb30
6	Disc	Stop disc X20Cr13 1.4021	Stop disc and seat with stellite surface	SDNR valve
7	Bellow	X6CrNiTi-18-10	X6CrNiTi-18-10	X6CrNiTi-18-10
8	Sleeve	11SMnPb30	11SMnPb30	11SMnPb30
9	Gland Packing	Graphite	Graphite	Graphite
10	Bonnet Gasket	Graphite+CrNiSt	Graphite+CrNiSt	Graphite+CrNiSt
11	Bolt and Nut	A2-70	A2-70	A2-70
12	Spring	14.310	14.310	14.310
Max Temperature		450 °C	450 °C	450 °C

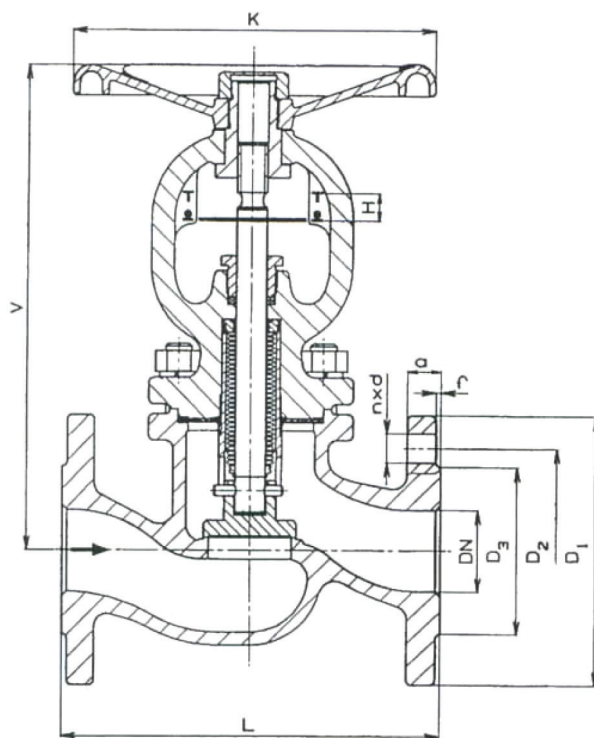
\* Subject to technical alterations and deviations resulting from the production process without giving any notification.

\* All applications are not suitable for all body options.

# MK-40 BELLOW SEALED STOP VALVE

## DIMENSIONS

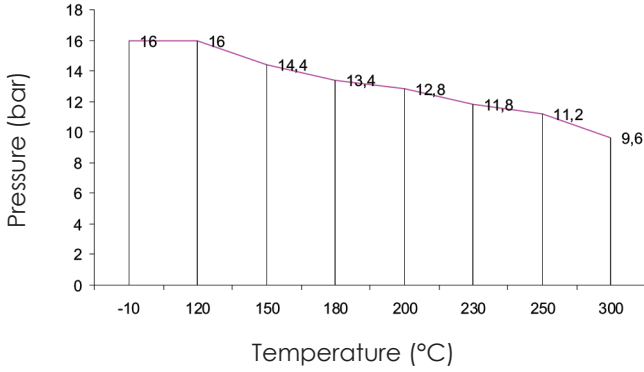
Option I, II, III



PN40											
DN	D1	D2	D3	nxd	K	H	L	V	a	Kvs	Weight
mm										m <sup>3</sup> /h	kg
15	95	65	45	4x14	125	6	130	189	16	4,3	4,3
20	105	75	58	4x14	125	6	150	189	18	7,0	5,1
25	115	85	68	4x14	125	6	160	189	18	11,0	5,8
32	140	100	78	4x18	150	10	180	220	18	17,5	9,5
40	150	110	88	4x18	150	10	200	220	18	27,0	9,8
50	165	125	102	4x18	200	16,5	230	295	20	47,0	17,5
65	185	145	122	8x18	200	16,5	290	295	22	68,0	20,5
80	200	160	138	8x18	300	25	310	368	24	116	34,0
100	235	190	162	8x22	300	25	350	368	24	162	44,0
125	270	220	188	8x26	400	40	400	523	26	250	77,0
150	300	250	218	8x26	400	40	480	523	28	364	110

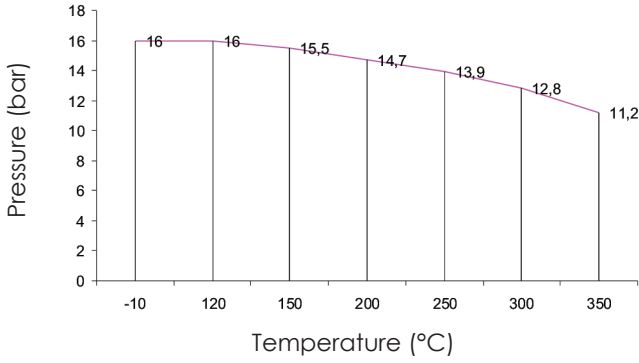
# MK-40 BELLOW SEALED STOP VALVE

## DIMENSIONS



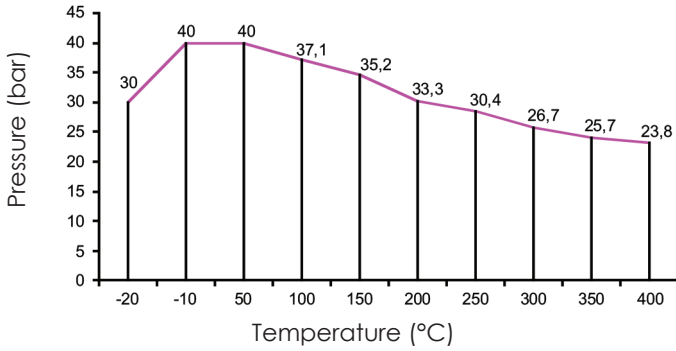
### Type I

Allowed working conditions range  
Body material: EN-GJL-250



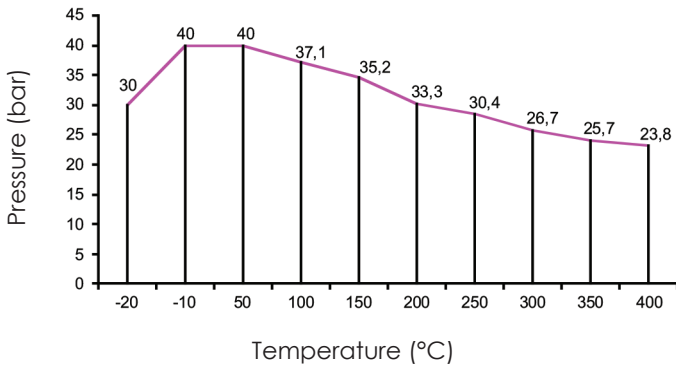
### Type II, Option I

Allowed working conditions range  
Body material: EN-GJS-400-18-LT



### Type II, Option II

Allowed working conditions range  
Body material: EN-GJS-400-18-LT



### Type III, Option I/II/III

Allowed working conditions range  
Body material: EN-GP24GH 1.0619



PN	Allowable pressure difference (bar)		
	DN10-100	DN125	DN150
PN40	40	33	21

Allowable pressure difference which can be observed on both sides of the closing element refers for valves in Type III.



#### GENEL MÜDÜRLÜK / FABRİKA

Atatürk Sanayi Bölgesi Hadımköy Mahallesi Mustafa İnan Caddesi No: 44 Arnavutköy - İSTANBUL  
Tel: +90 212 771 01 45 (pbx) | Faks: +90 212 771 47 27 | info@ayvaz.com | www.ayvaz.com