

# MG-33S

## SLIM TYPE MAGNETIC LEVEL GAUGES

### GENERAL FEATURES

AYVAZ MG-33S Level Control Devices are practical and safe devices designed to utilize both the buoyancy of liquids and the principles of electromagnetic push and pull. The device allows you to monitor the liquid level changes by influencing the red-white colored flaps placed on the outer wall through magnets located inside the float that follows the liquid level.

#### Advantages

- Continuous and easy monitoring capability
- Leak-proof construction
- Custom manufacturing in desired sizes and connections
- Ability to operate with different densities
- Suitable for various mounting types
- Long lifespan, easy maintenance
- Lightweight structure
- Available in lever and valve models
- Compatible with proportional rod connection, contact can be made with switches (Mono&Bistable)

#### Applications

- Hot water boilers
- Fill and drain vessels
- Tanks used for petroleum and petroleum products
- Oil boilers
- Diesel fuel tanks and generator sets
- Submarine, helicopter, and ship fuel tanks

### PRODUCT FEATURES

**Body:** AISI 304/316

**Float:** AISI 316L

**Flap:** Plastic

**Connection:** Flange / Nipple / Socket

**Flange Type:** DIN, ANSI, JIS

**Flange Material:** St 37.2, Stainless Steel

**PMO:** 10 bar

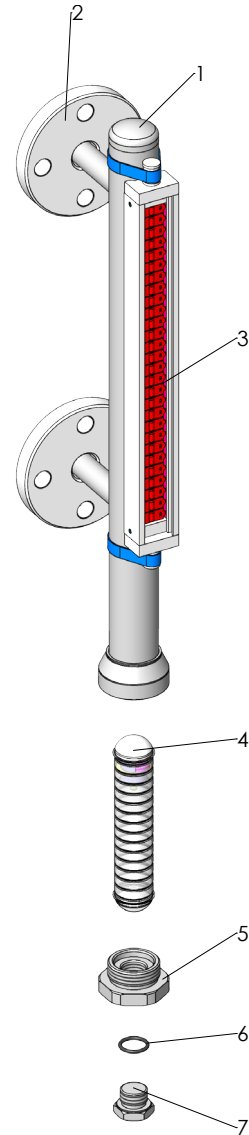
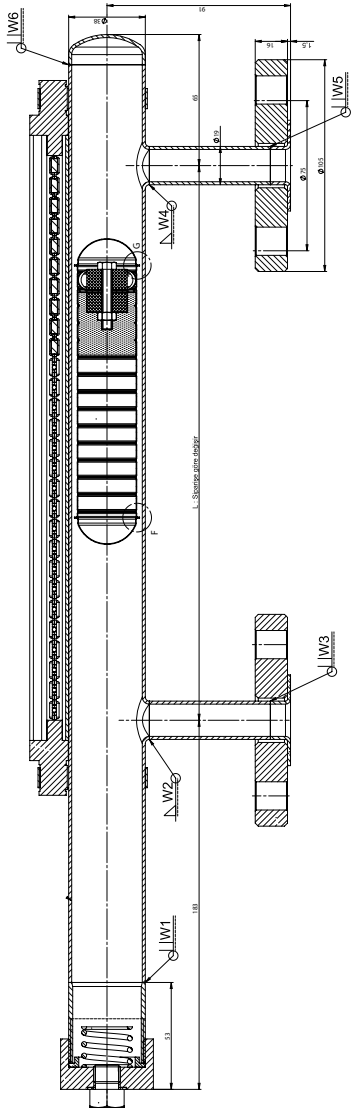
**TMO:** 160 °C

**Drain Cap:** 3/8"

\* Mono and bi-stable switches can be installed with a mounting rod. In this case, it is necessary to place an order for the mounting rod.

\* For different sizes, connections, temperature and pressure ranges, and specific applications, please consult our sales team. They will assist you in finding the most suitable solution for your needs.

# MG-33S SLIM TYPE MAGNETIC LEVEL GAUGES



**During the ordering process, there are several important factors to consider:**

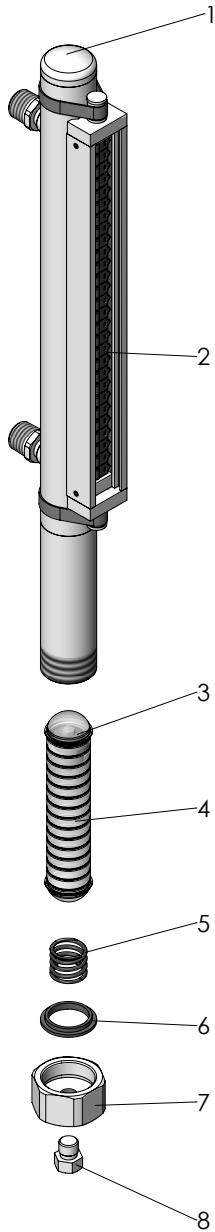
- Connection Type and Size:  
Specify the type (such as fitting, nipple, flange) and measurement (diameter, thread size) of the connections.
- Distance Between Connections:  
Provide the distance between the connection points, measured from the center of the upper pipe to the center of the lower pipe.
- Density of the fluid to be used
- Temperature of the fluid

No	Part	Material
1	Body	Stainless Steel
2	Flange	Stainless Steel
3	Level Gauge	
4	Float	Stainless Steel
5	Discharge Cover	Stainless Steel
6	O-ring	NBR
7	Discharge Cap	Stainless Steel

# MG-33S SLIM TYPE MAGNETIC LEVEL GAUGES

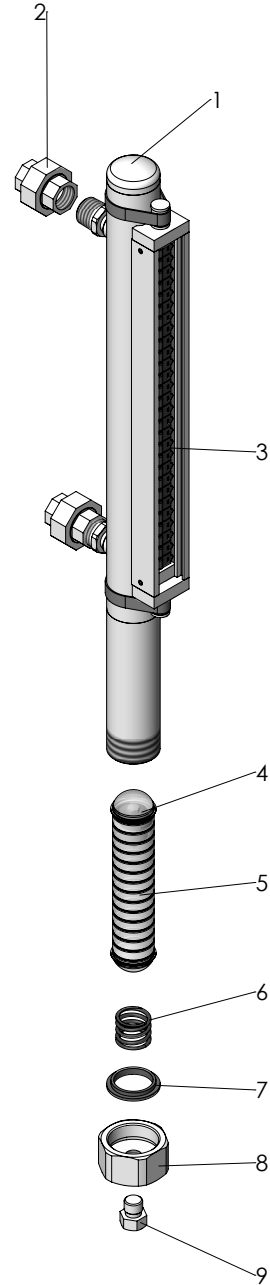


MG-33S NIPPLE



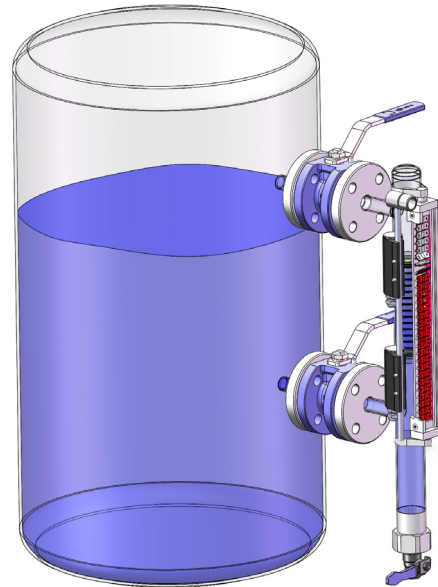
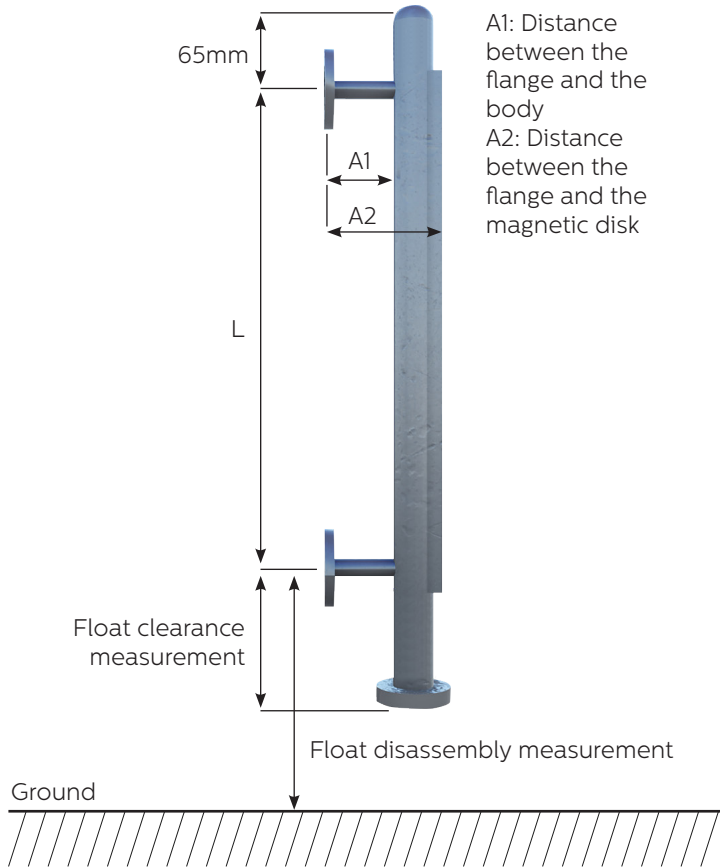
No	PART	MATERIAL
1	Body	Stainless Steel
2	Flap	Plastic
3	Magnetic Disc	Magnet
4	Float	Stainless Steel
5	Float Spring	Spring Steel
6	Gasket	Teflon
7	Nut	Stainless Steel
8	Cap	Stainless Steel

MG-33S SOCKET



No	PART	MATERIAL
1	Body	Stainless Steel
2	Connection Socket	Stainless Steel
3	Flap	Plastic
4	Magnetic Disc	Magnet
5	Float	Stainless Steel
6	Float Spring	Spring Steel
7	Gasket	Teflon
8	Nut	Stainless Steel
9	Cap	Stainless Steel

# MG-33S SLIM TYPE MAGNETIC LEVEL GAUGES



\*Valves and switches are optional.

**Note:**

The installation height of a Magnetic Level Indicator should be at least equal to the minimum disassembly measurement of the float. This ensures that if the float malfunctions, it can be easily accessed for maintenance. If the installation height of the Magnetic Level Indicator is shorter than the float clearance measurement, the product cannot be properly installed.

Fluid Density	Water 1 gr/cm <sup>3</sup>	Diesel 0,88 gr/cm <sup>3</sup>	Fuel Oil 0,92 gr/cm <sup>3</sup>	Ammonia 0,65 gr/cm <sup>3</sup>
Float clearance measurement	22,5 cm	22,5 cm	22,5 cm	30 cm
Float disassembly measurement	42 cm	44 cm	45 cm	60 cm



HEAD OFFICE - MAIN FACTORY  
Atatürk Sanayi Bölgesi Hadımköy Mahallesi  
Mustafa İnan Caddesi No: 44 Arnavutköy - İSTANBUL  
Tel: +90 212 771 01 45 (pbx) | Fax: +90 212 771 47 27  
info@ayvaz.com | www.ayvaz.com



Cona  
Caserta / Italy  
Tel : +39 0823 187 3988  
rmolaro@ayvaz.com



Ayvaz Ukraine  
Kiev / Ukraine  
Tel : +380 44 390 57 57  
info@ayvaz.com.ua



Tricorr  
Warsaw / Poland  
Tel : +48-32-783-295-1  
tricorr@tricorr.eu



Ayvaz Germany  
Viernheim / Germany  
Tel : +49 62046014399  
germany@ayvaz.com



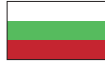
Ayvaz Serbia  
Belgrade / Serbia  
Tel : +381 61 658 70 52  
yakbijik@ayvaz.com



Ayvaz Azerbaijan  
Baku / Azerbaijan  
Tel : +99(455)579-84-32  
ahayatov@ayvaz.com



Ayvaz Kazakhstan LLP  
Almaty / Kazakhstan  
Tel : +7 (727) 327 97 57  
www.ayvaz.kz



Ayvaz N  
Ispereh / Bulgaria  
Tel : +359 8431 27 32  
office@ayvaz-n.eu



Ayvaz Vietnam  
HCMC / Vietnam  
Tel : +84 89 8508345  
ggursoy@ayvaz.com



Ayvaz China  
Ningbo / China  
Tel : +86 152 5830 7361  
msahin@ayvaz.com



Ayvaz Egypt  
Cairo / Egypt  
Tel : +20 122 819 78 29  
andrew.eid@ayvaz.com



Ayvaz Gulf  
Dubai / U.A.E.  
Tel : +971 563550822  
+971 501306871  
mideast@ayvaz.com



Ayvaz Americas  
Rhode Island  
Tel : +1 401 737 8380  
americas@ayvaz.com