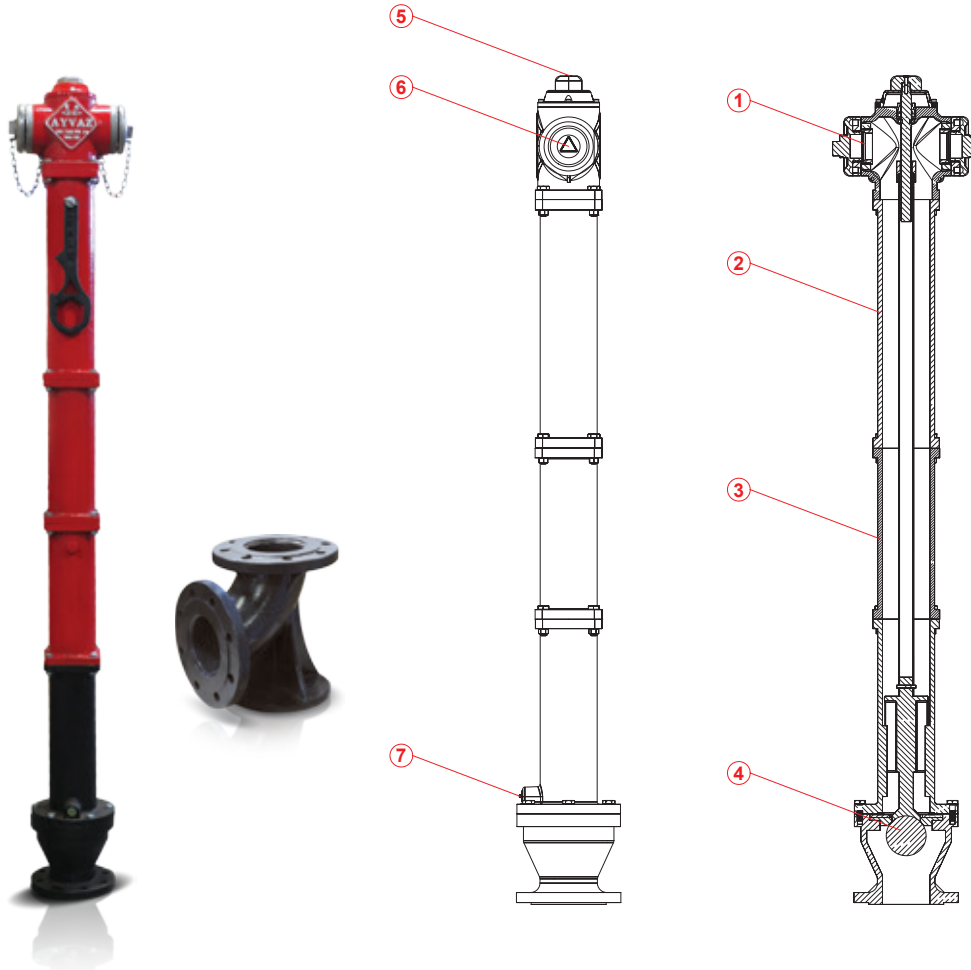


FIRE HYDRANT

Fire Hydrant / Model AFH-1000

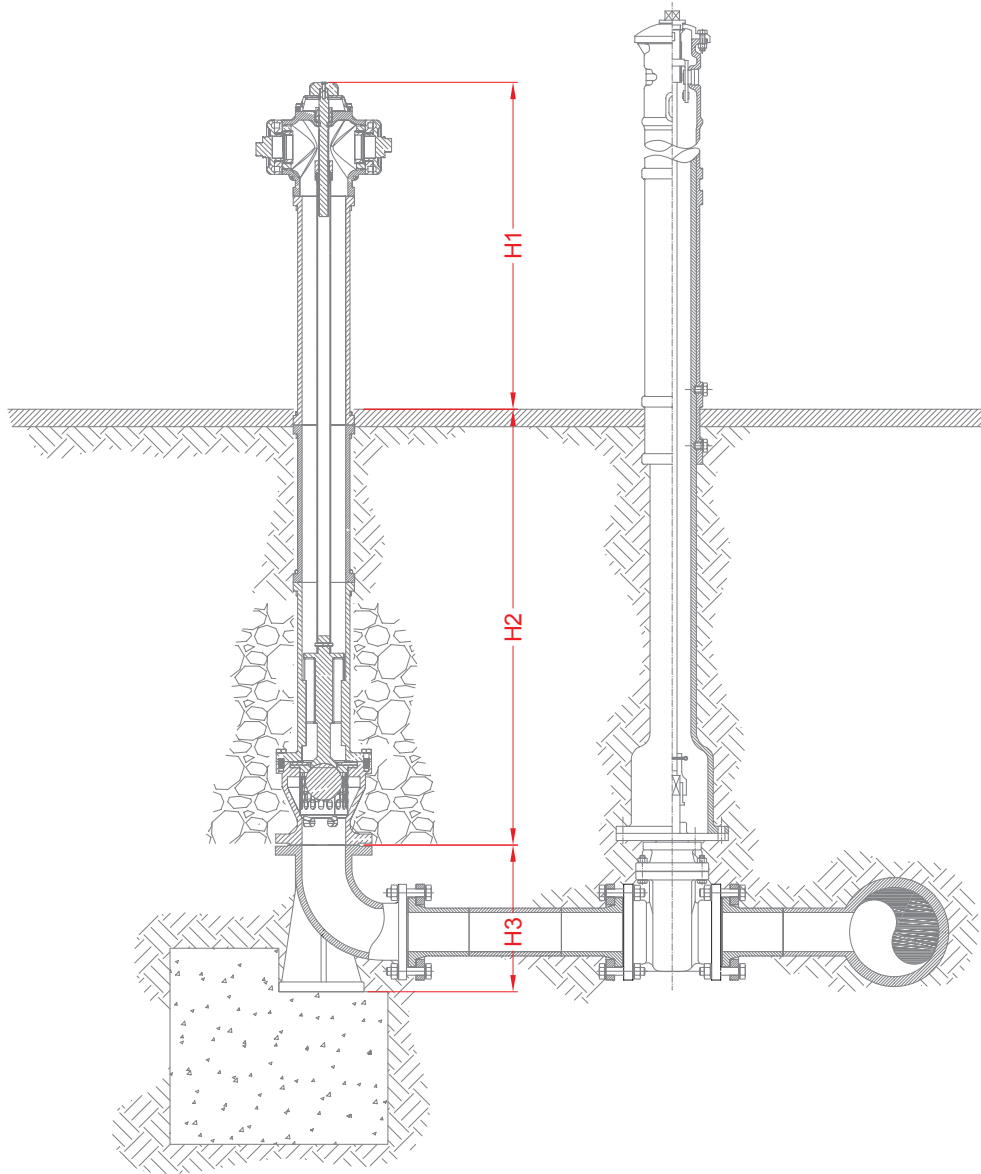


Body	Cast Iron
Stem	Stainless Steel
Stem Gasket	EPDM
Size	DN 100
Working Pressure	PN 16
Elbow	Cast Iron
Design Standart	EN 14384

NO	PART NAME	MATERIAL
1	Couplings	Aluminium
2	Upper Body	Cast Iron
3	Lower Body	Cast Iron
4	Ball	PE
5	Handwheel	Aluminium
6	Chain	Aluminium
7	Drain Valve	Brass

FIRE HYDRANT

Dimensions



DIMENSIONS					
WATER INLET	WATER OUTLET	LENGTH (mm)	H1 (mm)	H2 (mm)	H3 (mm)
DN100	DN65 x DN65	1420	1000	420	270
		1735		735	
		2195		1195	
		2425		1425	