

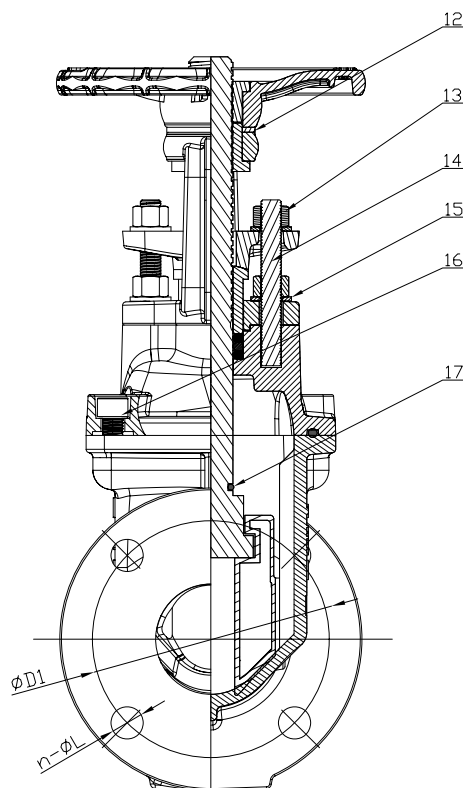
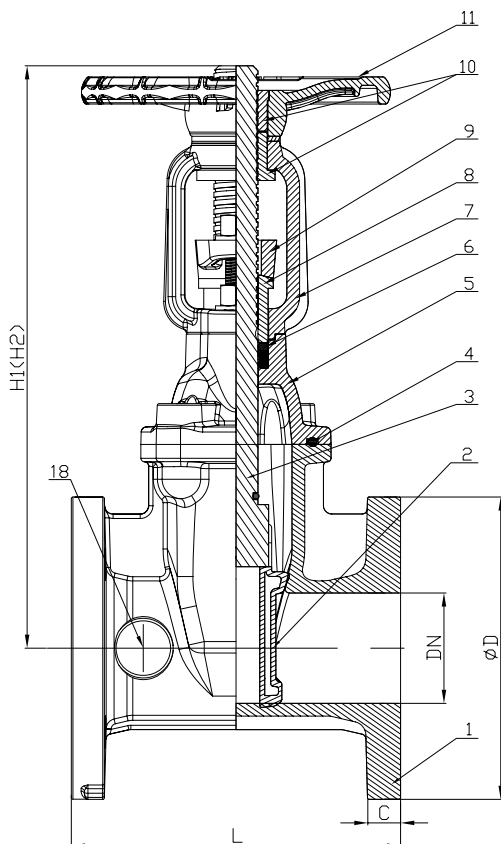


OUTSIDE SCREW & YOKE GATE VALVES

Resilient Wedge OS&Y Gate Valve / Model OSY-300FF



- Size** : 2", 2 1/2", 3", 4", 5", 6", 8", 10", 12"
- Working Pressure** : 20,7 bar (300psi)
- Max. Test Pressure** : 41,4 bar (600psi)
- Working Temperature** : 0 - 80°C
- Connection** : Flange diameter and thickness according to ANSI B16.1 Class 125, EN1092-2 PN10 or EN1092-2 PN16
- Specifications** : Design and dimensions conform to AWWA C515
- Corrosion Protection** : Fusion bonded epoxy coating in accordance with ANSI/AWWA C550 for both interior and exterior surface.
- Features** : Pre-notched, stainless steel stem for easy attachment of supervisory switch



OUTSIDE SCREW & YOKE GATE VALVES

Material List

No	Part	Material	ASTM Specification
1	Valve Body	Ductile Iron	ASTM A536, 65-45-12
2	Wedge Disc	Ductile Iron	ASTM A536, 65-45-12 & EPDM
3	Stem	Stainless Steel	AISI 420
4	Bonnet Gasket	EPDM	Commercial
5	Bonnet	Ductile Iron	ASTM A536, 65-45-12
6	Stem Packing	EPDM	Commercial
7	Yoke	Ductile Iron	ASTM A536, 65-45-12
8	Stem Bushing	Brass	HPb59-1
9	Gland	Ductile Iron	ASTM A536, 65-45-12
10	Stem Nut	Brass	HPb59-1
11	Handwheel	Ductile Iron	ASTM A536, 65-45-12
12	Washer	Brass	HPb59-1
13	Gland Nut	Carbon Steel	Zinch Plated
14	Stud	Carbon Steel	Zinch Plated
15	Flat Washer	Carbon Steel	Zinch Plated
16	Nut	Carbon Steel	Zinch Plated
17	O-Ring	EPDM	Commercial
18	Plug	Bronze	ASTM B583 C89833

Dimensions - Weights

SIZE		DIMENSIONS (mm)					L	
		A	B	C	N-M	ØD1	PN10/16	ANSI
DN50	2"	178	348	400	152	16	150	178
DN65	2 1/2"	190	373	440	175	17,5	170	190
DN80	3"	203	408	490	191	19,1	180	203
DN100	4"	229	471	573	229	19,1	190	229
DN125	5"	254	541	665	254	19,1	200	254
DN150	6"	267	601	755	279	19,1	210	267
DN200	8"	292	774	975	343	22,2	230	292
DN250	10"	330	939	1193	406	23,8	250	330
DN300	12"	356	1065	1370	483	25,4	270	356

SIZE		DIMENSIONS (mm)						WEIGHTS (kg)
		D1			n-ØL			
		ANSI	PN16	PN10	ANSI	PN16	PN10	
DN50	2"	120,7	125		4-Ø19,1			14,7
DN65	2 1/2"	139,7	145		4-Ø19,1			17,7
DN80	3"	152,4	160		4-Ø19,1	8-Ø19,1		23,1
DN100	4"	190,5	180		8-Ø19,1	8-Ø19,1		31,6
DN125	5"	215,9	210		8-Ø22,2	8-Ø19,1		42,2
DN150	6"	241,3	240		8-Ø22,2	8-Ø23		53,2
DN200	8"	298,5	295		8-Ø22,2	12-Ø23	8-Ø23	91,3
DN250	10"	362	355	350	12-Ø25,4	12-Ø28	12-Ø23	134,6
DN300	12"	431,8	410	400	12-Ø25,4	12-Ø28	12-Ø23	200

Note : Size 5" is only UL listed

Valve flange drilling (size and location of holes) allows mating with the following flange types:

ANSI= ANSI B16.1 Class 125

PN16=DIN 2501, EN 1092 - PN16, BS 4504

PN10=DIN 2501, EN 1092 - PN10, BS 4504

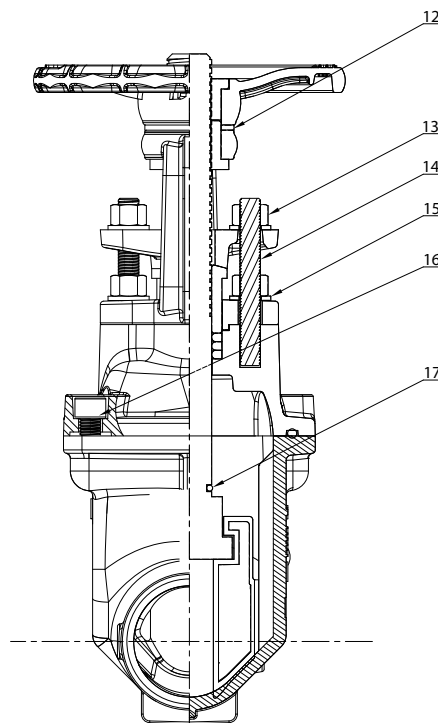
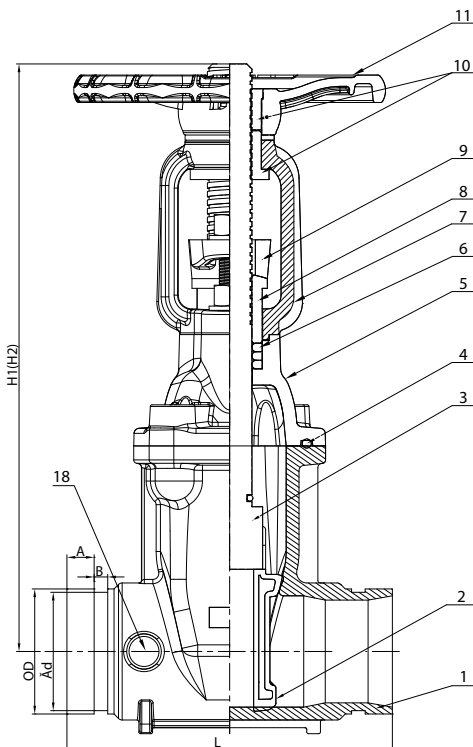


OUTSIDE SCREW & YOKE GATE VALVES

Resilient Wedge OS&Y Gate Valve / Model OSY-300GG



- Size** : 2", 2 1/2", 3", 4", 5", 6", 8", 10", 12"
- Working Pressure** : 20,7 bar (300psi)
- Max. Test Pressure** : 41,4 bar (600psi)
- Working Temperature** : 0 - 80°C
- Connection** : Grooved metric or AWWA C606 standard
- Specifications** : Design and dimensions conform to AWWA C515
- Corrosion Protection** : Fusion bonded epoxy coating in accordance with ANSI/AWWA C550 for both interior and exterior surface.
- Features** : Pre-notched, stainless steel stem for easy attachment of supervisory switch



OUTSIDE SCREW & YOKE GATE VALVES

Material List

No	Part	Material	ASTM Specification
1	Valve Body	Ductile Iron	ASTM A536, 65-45-12
2	Wedge Disc	Ductile Iron	ASTM A536, 65-45-12 & EPDM
3	Stem	Stainless Steel	AISI 420
4	Bonnet Gasket	EPDM	Commercial
5	Bonnet	Ductile Iron	ASTM A536, 65-45-12
6	Stem Packing	EPDM	Commercial
7	Yoke	Ductile Iron	ASTM A536, 65-45-12
8	Stem Bushing	Brass	HPb59-1
9	Gland	Ductile Iron	ASTM A536, 65-45-12
10	Stem Nut	Brass	HPb59-1
11	Handwheel	Ductile Iron	ASTM A536, 65-45-12
12	Washer	Brass	HPb59-1
13	Gland Nut	Carbon Steel	Zinch Plated
14	Stud	Carbon Steel	Zinch Plated
15	Flat Washer	Carbon Steel	Zinch Plated
16	Nut	Carbon Steel	Zinch Plated
17	O-Ring	NBR	Commercial
18	Plug	Bronze	ASTM B583 C89833

Dimensions - Weights

SIZE		Pipe OD (mm)	DIMENSIONS (mm)						WEIGHTS (kg)
			L	H1(Close)	H1(Open)	d	A	B	
DN50	2"	60.3	178	348	400	57,2	15,9	7,9	11,4
DN65	2 1/2"	73.0	190	373	440	69,1	15,9	7,9	12,5
		76.1				72,3			
DN80	3"	88.9	203	408	490	84,9	15,9	7,9	16,9
DN100	4"	114.3	229	471	573	110,1	15,9	9,5	24,2
DN125	5"	139.7	254	541	665	135,5	15,9	9,5	33,5
		141.3				137			
DN150	6"	165.1	267	601	755	160,9	15,9	9,5	41,3
		168.3				164			
DN200	8"	219.1	292	774	975	214,4	19,1	11,1	73,7
DN250	10"	273.0	330	939	1193	268,3	19,1	12,7	124,3
DN300	12"	323.9	356	1065	1370	318,3	19,1	12,7	174,5

Note : Size 5" is only UL listed