



ACOM

MECHANICAL CONDENSATE PUMP

GENERAL FEATURES

Ayvaz ACOM Mechanical Condensate Pump is designed for the correct transfer of condensate and energy saving.

Saturated steam or compressed air can be used as propellant in the pump.

ACOM increases efficiency especially when used in stall situations where condensate discharge is impossible. It can also be supplied as a condensate pump station upon request. There are two disco check valves on the product.

WORKING CONDITIONS

Working Temperature: +10/+200 °C

Max. Condensate discharge:

10.000 kg/h

Max Inlet Pressure: 8 bar

Connection: Flanged

Size: DN50

Where is Condensate Pump Used in Processes?

- Temperature control valves (Pneumatic-electric actuator, thermostatic etc.) in temperature control processes
- In cases where the back pressure is high at the steam trap outlet
- In cases where the distance between steam trap and condensate tank is long
- In Stall situations

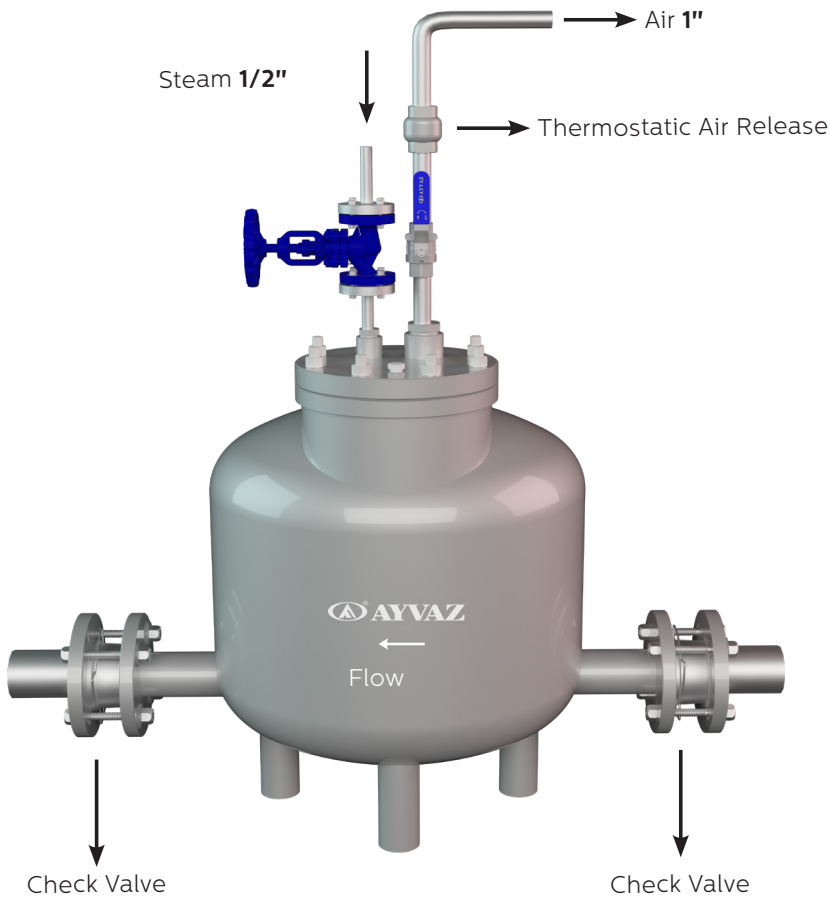
Problems That May Occur When Condensate Pump Is Not Used

- Corrosion
- Product deterioration due to thermal fluctuations in the heated product
- Thermal water hammer
- Loss of production due to heating inefficiency per unit time

Advantages

- Thanks to the return condensate, savings are made in boiler feed water and natural gas consumption.
- Heat exchanger and trap failures that may occur with water hammer are prevented.
- There is a decrease in the amount of chemicals fed for the water.
- Since blow downs will be reduced, there will be savings in fuel and water.
- Less energy consumption compared to electric pumps.

ACOM MECHANICAL CONDENSATE PUMP

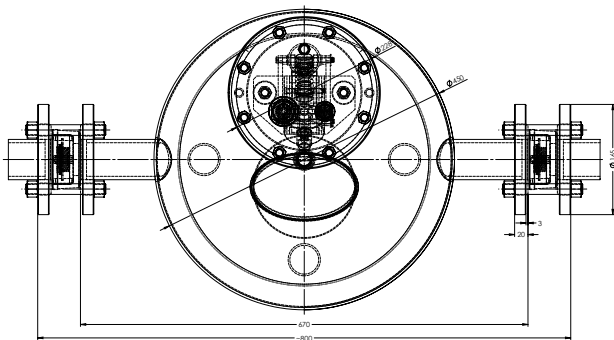
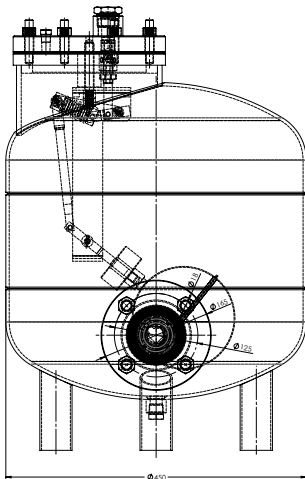
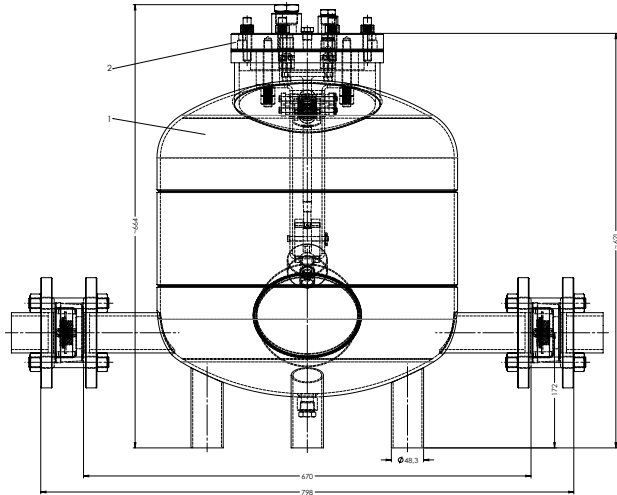


***Included 2 disc check valves on the product**
*** Globe valve, ball valve and thermostatic air vent on the product are not included in the standard product.**

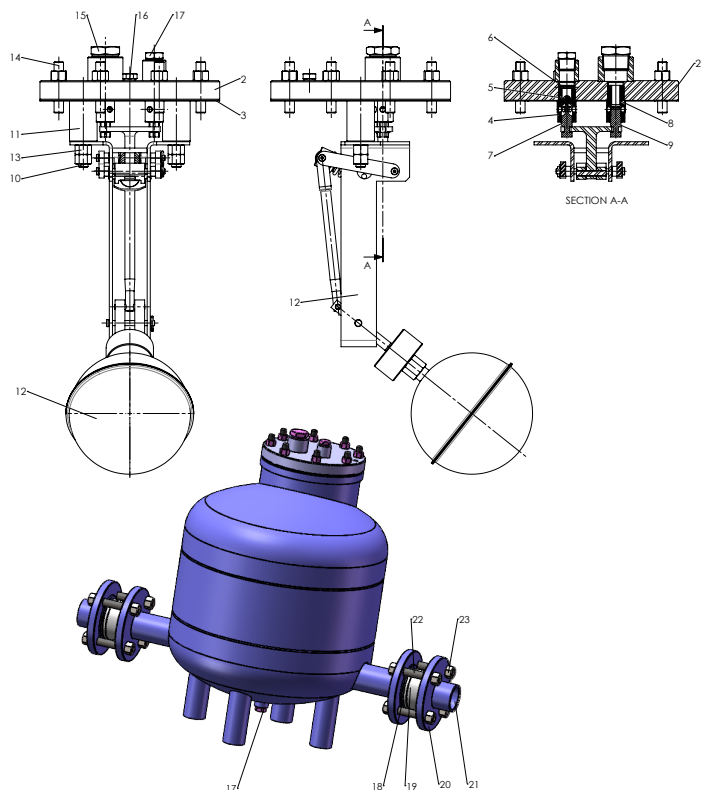
DISCHARGE CAPACITIES			
Inlet Pressure (bar)	Back Pressure (bar)	Flow Rate (kg/h)	
		Air	Steam
1	0,5	3264	-
2	0,5	5312	3273
	1	4577	2699
3	0,5	7267	5853
	1	6680	4344
	1,5	4877	2725
	2	3238	1404
4	1	9482	5423
	1,5	8078	4563
	2	5042	3237
	2,5	3463	3148
	3	2320	1084
5	1	8797	6074
	1,5	8270	5890
	2	7924	3438
	2,5	4200	3172
	3	3943	2245
6	4	2366	1101
	1	9914	6536
	1,5	8971	6526
	2	8780	3872
	2,5	4566	3886
7	3	4377	2806
	4	3277	2205
	1	10380	7788
	1,5	9395	6999
	2	8830	4439
8	2,5	5107	4421
	3	4848	3350
	4	3643	3220
	1	10480	8674
	1,5	9446	7329
8	2	8319	5656
	2,5	5816	4805
	3	4882	4561
	4	3798	3321

ACOM MECHANICAL CONDENSATE PUMP

TECHNICAL DRAWING



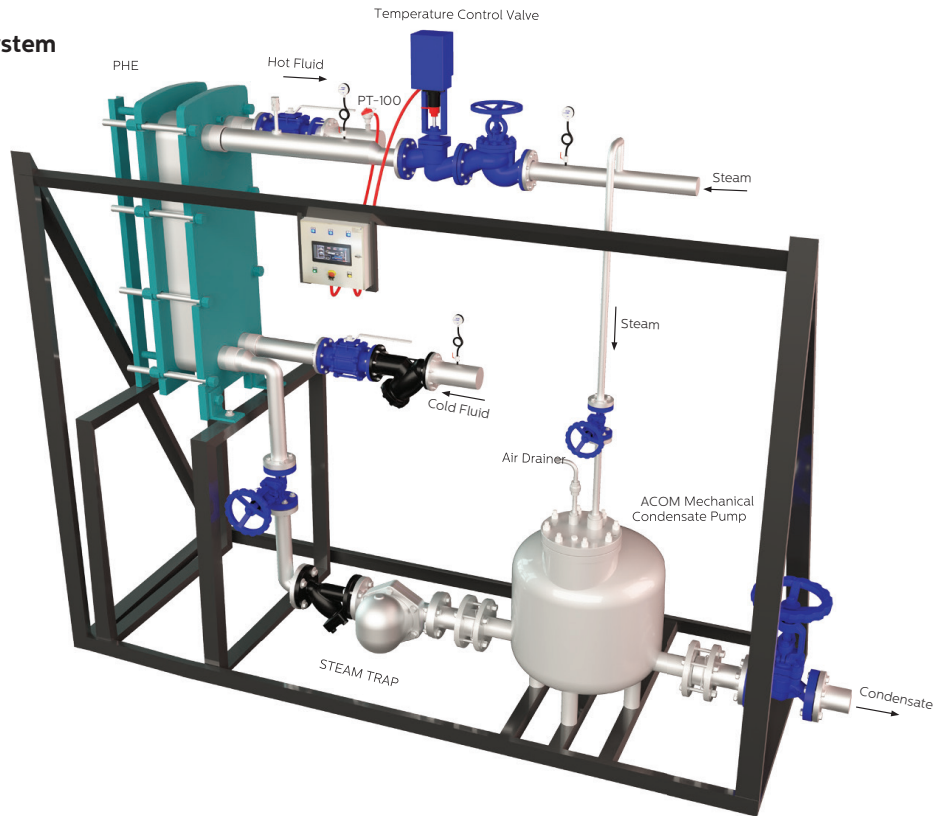
No	Part	Material
1	Tank (Welded Connection)	AISI 316
2	Flange	AISI 316
3	Gasket	Grafit
4	Valve Body-1	AISI 316
5	Sphere Ø9	AISI 316
6	Special Stem	AISI 316
7	Valve Orifice	AISI 316
8	Valve Body-2	AISI 316
9	Valve	AISI 316
10	M12x100	AISI 316
11	Connection Part	AISI 316
12	Float Lever	AISI 316
13	Nut M12	AISI 316
14	M12x65	AISI 316
15	Cap 1"	AISI 316
16	Cap 1/4"	AISI 316
17	Cap 1/2"	AISI 316
18	Gasket DN50	Klingerit
19	Disc Type Checkvalve DN50	AISI 316
20	Flange PN25-40 DN50	AISI 316
21	Pipe Ø60,3	AISI 316
22	Bolt M16x120	AISI 316
23	Nut M16	AISI 316



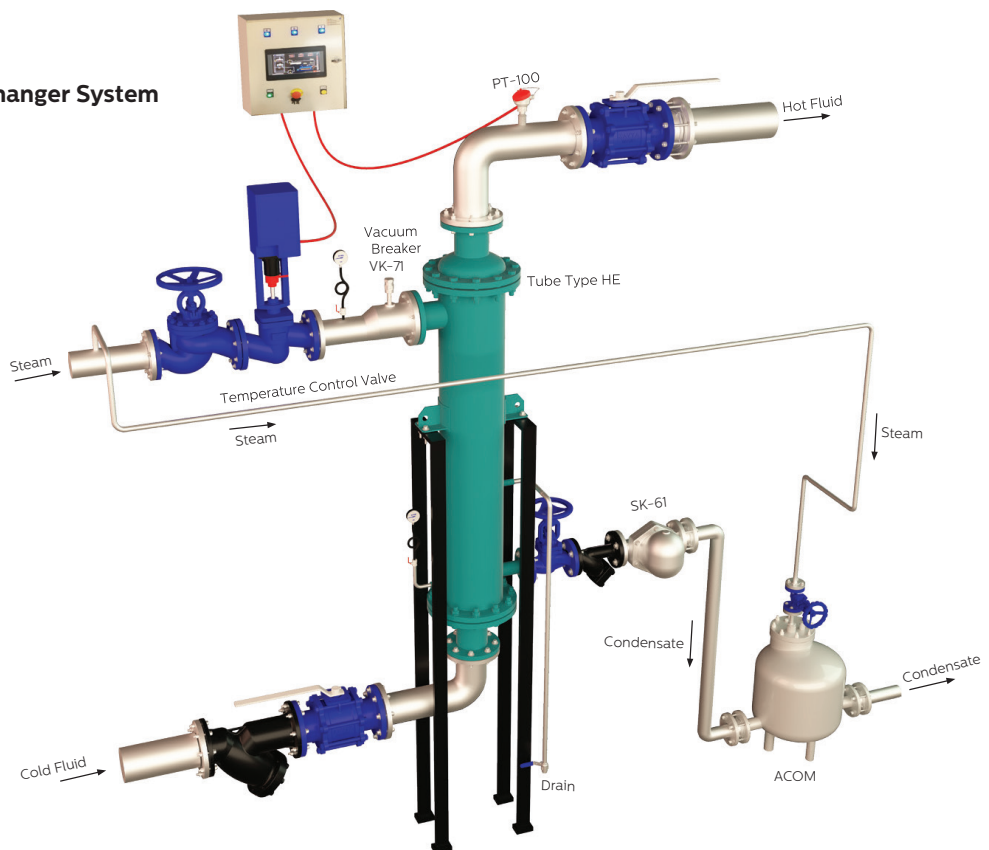
ACOM MECHANICAL CONDENSATE PUMP

APPLICATIONS

Plate Heat Exchanger System



Tubular Type Heat Exchanger System





HEAD OFFICE - MAIN FACTORY

Atatürk Sanayi Bölgesi Hadımköy Mahallesi
Mustafa İnan Caddesi No: 44 Arnavutköy - İstanbul
Tel: +90 212 771 01 45 (pbx) | Fax: +90 212 771 47 27
info@ayvaz.com | www.ayvaz.com



Cona
Caserta / Italy
Tel : +39 0823 187 3988
rmolaro@ayvaz.com



Ayvaz Ukraine
Kiev / Ukraine
Tel : +380 44 390 57 57
info@ayvaz.com.ua



Tricorr
Warsaw / Poland
Tel : +48 530 030 810
tricorr@tricorr.eu



Ayvaz Germany
Viernheim / Germany
Tel : +49 62046014399
germany@ayvaz.com



Ayvaz Serbia
Belgrade / Serbia
Tel : +381 61 658 70 52
yakbiyik@ayvaz.com



Ayvaz Azerbaijan
Baku / Azerbaijan
Tel : +99(455)579-84-32
ahayatov@ayvaz.com



Ayvaz Kazakhstan LLP
Almaty / Kazakhstan
Tel : +7 (727) 327 97 57
www.ayvaz.kz



Ayvaz N
Isperih / Bulgaria
Tel : +359 8431 27 32
office@ayvaz-n.eu



Ayvaz Vietnam
HCMC / Vietnam
Tel : +84 89 8508345
ggursoy@ayvaz.com



Ayvaz China
Ningbo / China
Tel : +86 152 5830 7361
msahin@ayvaz.com



Ayvaz Egypt
Cairo / Egypt
Tel : +20 122 819 78 29
andrew.eid@ayvaz.com



Ayvaz Gulf
Dubai / U.A.E.
Tel : +971 563550822
+971 501306871
mideast@ayvaz.com



Ayvaz Americas
Rhode Island
Tel : +1 401 737 8380
americas@ayvaz.com